



Square Straight Bull Horns

Catalog Number	
Project	Type

FEATURES & SPECIFICATIONS

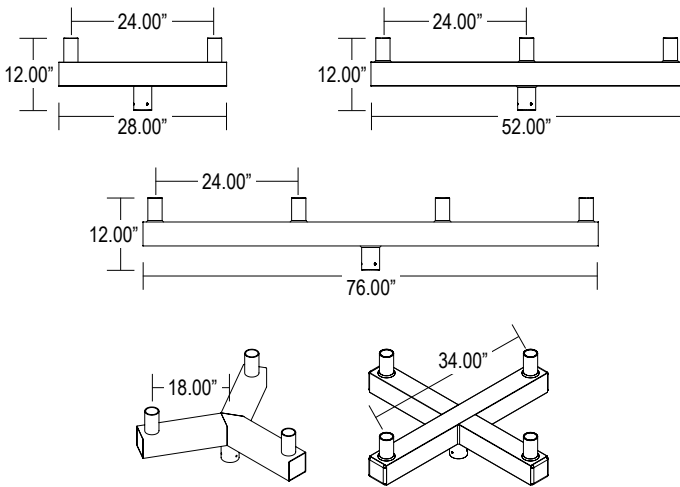
APPLICATION — The TV Series of Square Straight Bull Horns were designed to mount directly onto a 2-3/8" OD tenon to allow the mounting of multiple fixtures. It may be utilized with the majority of the Techlight product families (contact your sales associate for additional information).

CONSTRUCTION — The heavy duty bull horn is constructed of aluminum or steel tubing. Each vertical tenon provided is 4" tall with a 2-3/8" outside diameter. Welding follows industry standards best practices. Stainless steel hardware provided.

FINISH — A Super Durable Polyester powder coat finish is electrostatically applied in our state of the art paint facility. Standard colors available: Black, Bronze, US Green, White. Custom colors available upon request.



FIXTURE DIMENSIONS



NOTES

- 1 = Custom RAL color matching is available. Contact your sales representative for additional information.
- 2 = **Only for Steel Finish.** Must specify paint color in addition to these coating options (Example: GLVPBZ).

ORDERING INFORMATION

Choose the bold face options for the appropriate luminaire configuration for your application and enter on the line above each fixture attribute. Accessories may be factory installed, depending on the particular accessory chosen, but still be ordered as a separate line item.

EXAMPLE:

TV 3120 S GLVPBZ

TV			
SERIES	CONFIGURATION	MATERIAL	FINISH
	2 = 2 Tenons In-Line 3 = 3 Tenons In-Line 4 = 4 Tenons In-Line 3120 = 3 Tenons at 120° C4 = 4 Tenons at 90°	S = Steel A = Aluminum	BK = Black BZ = Bronze GR = US Green WH = White SP = Special ¹ GLVP = Galvanized and Painted ²

Series	EPA (ft ²)
TV2	1.6
TV3	2.6
TV4	3.6
TV3120	1.5
TVC4	2.2

