



Catalog Number	
Notes	Type

Features & Specifications

Construction

The housing is made of compression molded fiber reinforced polyester composite. The color impregnated SR2 composite will not flake or peel. Multiple ring/guard assemblies are available for a customizable trim finish.

Optical System

Flood and spot reflectors are available for HID E17 lamps. The fixture can accommodate reflector shaped lamps for specific beam patterns. Convex and walk over lenses are both available.

Electrical System

The fixture can be used with up to 75W Par30 Incandescent, 50W Mercury Vapor, 50W Metal Halide, 50W High Pressure Sodium, or 32W Compact Fluorescent lamp/ballast systems. All ballast trays are thermally protected and come pre-wired to specific line voltages via quick connects. Pre-installed 15' and 30' power cords are available from the factory.

Mounting

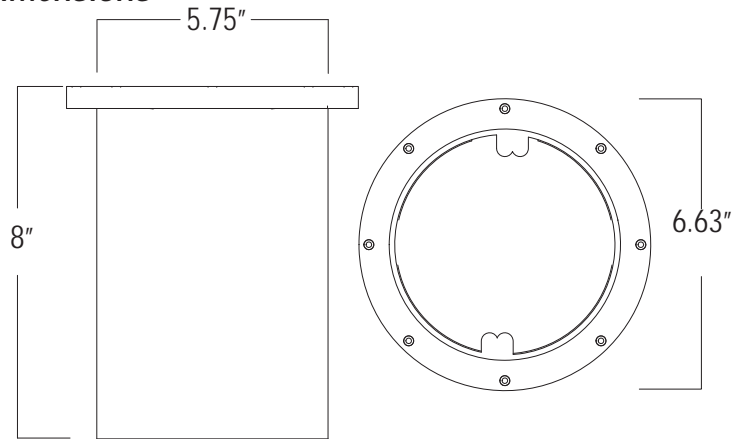
The TDB2W Well Light is an in-ground fixture and should be installed with back fill according to the Techlight TDB installation instructions. A 3/4" conduit entry is supplied into the anti-siphon chamber of the housing.

TDB SERIES TDB2W WELL LIGHT



Shown with TDB2-GRD-COM Rock Guard

Dimensions



Ordering Nomenclature

(Example: TDB2W, Brass Ring, 20W Electronic Metal Halide, Flood Reflector, Convex Lens, 20W Metal Halide G12 Lamp, 120V) = TDB2W-4-6-1-2-12-1

TDB2W-LED							
-----------	--	--	--	--	--	--	--

Series	Housing	Ring/Guard	Ballast	Optics	Lens	Lamp	Voltage
TDB2W-LED	1 - ZTDB2W	1 - TDB2-RG-COM Composite Ring 2 - TDB2-GRD-COM Rock Guard 3 - TDB2-RG-SS Stainless Steel Ring 4 - TDB2-RG-BRASS Brass Ring	1 - TDB2W50MVQ 50W Mercury Vapor MT 2 - TDB2W50MHQ 50W Metal Halide MT 3 - TDB2W50HPSQ 50W High Pressure Sodium MT 4 - TDB2W32CF120 32W Compact Fluorescent 120V 5 - TDB2W39MHQ 39W Metal Halide MT 6 - TDB2W20EMH120 20W Electronic Metal Halide 120V	1 - TDB2-FFR Flood Reflector 2 - TDB2-FSR Spot Reflector 3 - TDB2-INC Incandescent Bracket	1 - TDB2-GK-WO Walk Over Lens 2 - TDB2-GK-CON Convex Lens (*Walk Over Lens cannot be used with HID E17 lamps)	1 - MH50MED 50W Metal Halide 2 - MV50R20MED 50W R20 Metal Halide 3 - MV50MED 50W Mercury Vapor 4 - HPS50MED 50W High Pressure Sodium 5 - Q50PNF130 50W Quartz Narrow Flood 6 - Q50P30NS130 50W Quartz Narrow Spot 7 - Q75P30F130 75W Quartz Flood 8 - Q75P30NS130 75W Quartz Narrow Spot 9 - TL32CF 32W Compact Fluorescent 10 - CDM35WPAR20NFL 35W MH Narrow Flood 11 - CDM35PAR20SP 35W MH Spot 12 - CMH20TU830G12 20W MH G12 13 - CMH20PAR20SP 20W MH Spot 14 - CMH20PAR20FL 20W MH Flood	1- 120V 2- 208V 3- 240V 4- 277V