



Catalog Number	
Project	Type

FEATURES & SPECIFICATIONS

APPLICATION — The high performance luminaire is designed for high bay applications where long life, low maintenance, and consistent color rendering is required. Areas with limited accessibility due to fixture location or where heavy traffic makes maintenance difficult are ideal applications such as big box retail, industrial environments or parking garages.

CONSTRUCTION — The heavy duty housing is constructed of extruded aluminum. The optical assemblies are sealed in place using a silicone gasket for weather tight protection. Modular LED bricks wired in parallel for ease of maintenance. ETL listed for wet locations (IP64). Additional IP66 rating available upon request.

FINISH — A Super Durable Polyester powder coat finish is electrostatically applied in our state of the art paint facility. Standard colors available: Black, Bronze, US Green, White. Custom colors available upon request.

OPTICAL SYSTEM — Made with a state of the art UV stabilized acrylic high performance refractive optical assemblies that use high transmissivity materials to achieve precise photometric distributions. Available in Type II, III, IV, IV Automotive, V Medium and V Wide beam configurations.

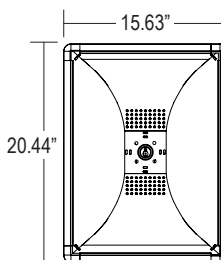
ELECTRICAL SYSTEM — Available in up to a 6 brick LED system in 5000K Cool White (+/- 500K) or 4100K Neutral White color temperatures propagated with Philips Lumileds LUXEON® Rebel LED's. Available with 90-300V 50/60 Hz Class II power supply. LED's rated up to 78,000 (B50 L70) hours for 850 mA operation and 103,000 (B50 L70) for 630 mA operation at 25°C ambient temperature. 480V input option available. Optional 0-10V dimming. Built-in surge protection up to 10 kV. Thermal protection is provided in the form of a dimming thermal foldback until fixture reverts back to the optimal operating temperature. Built-in Active PFC Function >95%/Full load. LED Power Supply conforms to UL1310 Class 2 and UL8750 standards and is IP67 rated for wet locations.

MOUNTING — The fixture can be surface mounted over a standard 4" box (provided by others) using the pre-set mounting holes and hardware provided with each fixture. Mounting pass-thru holes provided standard for chain or aircraft cable mounting. Chain or aircraft cables ordered separately (see Accessories). A 3/4" Myer's Hub comes installed for rigid pendant mounting. A 1/2" reducer bushing is available separately Fixture may be suspended in structured ceiling applications.

LISTINGS — LED Power Supply listed for wet locations (IP67). LED bricks ETL listed for wet locations (IP64). Meets US and Canadian safety standards. -40°C to 50°C ambient operation.



Saber LED High Bay LSBH SERIES



Dimensions shown are for 1 and 2 Brick Unit Only.

Series	Housing Height	Length & Width
LSBH	4.77"	20.44" x 15.63"

ORDERING INFORMATION

Choose the bold face options for the appropriate luminaire configuration for your application and enter on the line above each fixture attribute. Accessories may be factory installed, depending on the particular accessory chosen, but still be ordered as a separate line item.

Example: **LSBH6C8T5MD1-BZ DIM**

LSBH

Series	# of Bricks	Color Temp	# LED's per Brick	Optics	Drive Current	Voltage	FINISH
LSBH	1 1 Brick 2 2 Brick 3 3 Brick 4 4 Brick 5 5 Brick 6 6 Brick	C Cool White (5000K) N Neutral White (4100K)	2 12 LED 8 18 LED	T2 Type II T3 Type III T4 Type IV T4A Type IV Automotive T5M Type V Medium T5W Type V Wide	A 630mA Driver B 850mA Driver	1 Multi-Volt ¹ 2 480V 3 347V	BK Black BZ Bronze GR US Green WH White SP Special ²

Accessories (Order as separate line items)

DIM³	Additional Input Ports for 0-10V Dimming	G15	15' Aircraft Cable with 12" Arms
BUSHING3412NPT	3/4" to 1/2" Reducer Bushing	G20	20' Aircraft Cable with 12" Arms
IP66⁴	Additional IP66 Fixture Rating		
10JC	(3) S Hooks and 10' Jack Chain Set		
G10	10' Aircraft Cable with 12" Arms		

NOTES

- Multi-Volt is an auto ranging power supply from 90V to 300V input.
- Custom RAL color matching is available. Contact your Techlight sale representative for additional information.
- Dimming feature must be ordered prior to manufacture of fixture and cannot be field installed.
- Additional IP66 rating may not be changed once production has begun on the fixtures.

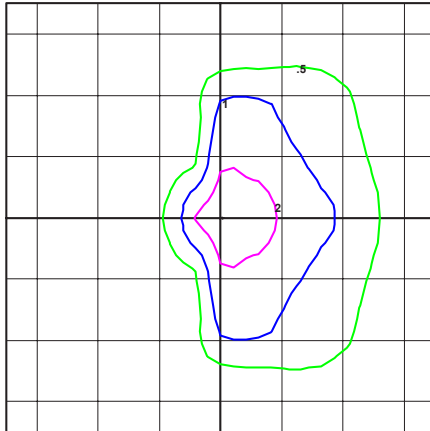
LSBH Saber LED High Bay

PHOTOMETRICS

IES INDOOR REPORT PHOTOMETRIC FILE NAME: LSBH6C8T3D1

Type III Optical Assembly
6 Brick, 850mA, Cool
White

292W LSBH LED High Bay
Color Temperature: 5,000 K

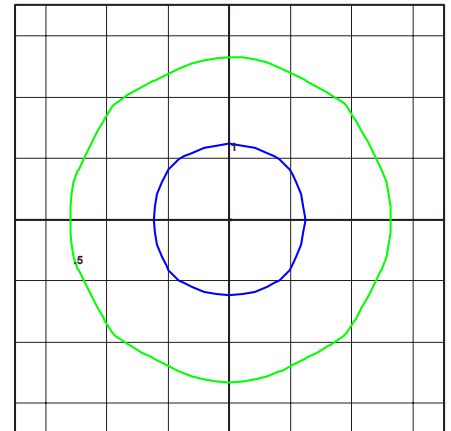


Horizontal Footcandles
Scale: 1 Unit = 30 Ft
Light Loss Factor = 6.00
Lumens Per Lamp = 220 (18) Lamps
Total Lamp Lumens = 3960
Mounting Height = 30.00 Ft
Maximum Calculated Value = 3.82 Fc
Arrangement: Single

IES INDOOR REPORT PHOTOMETRIC FILE NAME: LSBH6C8T5WD1

**Type V Wide Optical
Assembly**
6 Brick, 850mA, Cool
White

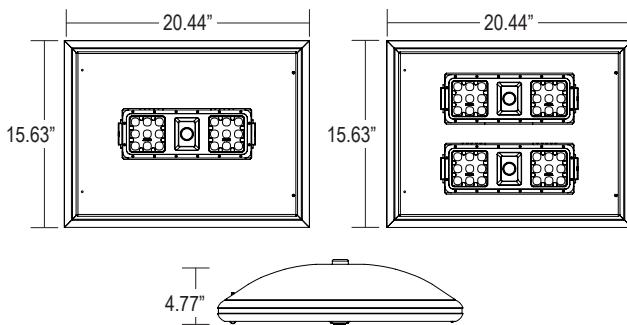
292W LSBH LED High Bay
Color Temperature: 5,000 K



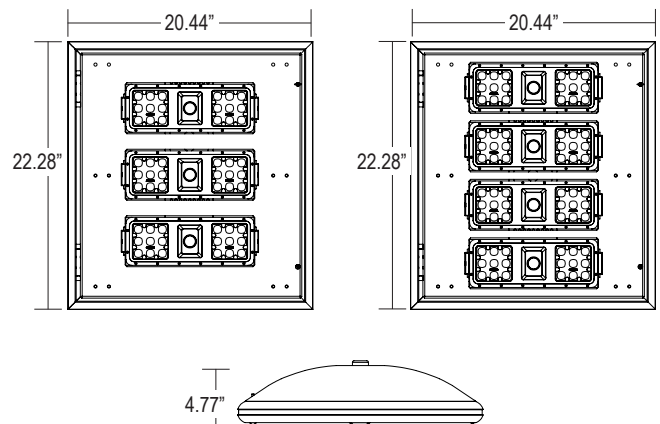
Horizontal Footcandles
Scale: 1 Unit = 30 Ft
Light Loss Factor = 6.00
Lumens Per Lamp = 220 (18) Lamps
Total Lamp Lumens = 3960
Mounting Height = 30.00 Ft
Maximum Calculated Value = 1.55 Fc
Arrangement: Single

ADDITIONAL FIXTURE DIMENSIONS

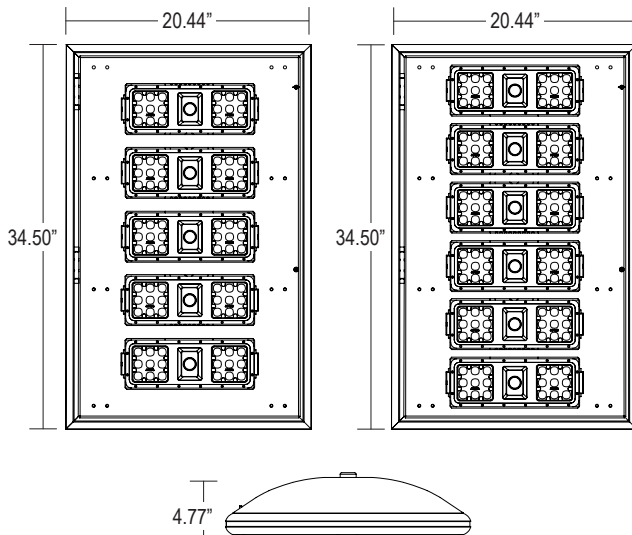
Dimensions for 1 & 2 Brick Unit



Dimensions for 3 & 4 Brick Unit



Dimensions for 5 & 6 Brick Unit



LSBH Saber LED High Bay

LUMINAIRE CHARACTERISTICS

Cool White (5000K) 630 mA Drive Current

# of LED Bricks	# of LEDs per Brick	Color Temp	Delivered Lumens					System Wattage	B50 L70 @ 25°C	Amperage Draw					
			TYPE II	TYPE III	TYPE IV	TYPE 5M	TYPE 5W			120V	208V	240V	277V	347V	480V
1 BRICK	12	CW	1958	2468	2470	2476	2443	28W	103K	.24 A	.14 A	.12 A	.11 A	.09 A	.07 A
	18	CW	2915	3674	3677	3687	3637	41W	103K	.35 A	.20 A	.18 A	.15 A	.14 A	.10 A
2 BRICK	12	CW	3916	4936	4940	4953	4885	55W	103K	.46 A	.27 A	.23 A	.20 A	.18 A	.13 A
	18	CW	5831	7349	7355	7374	7273	82W	103K	.69 A	.40 A	.35 A	.30 A	.27 A	.19 A
3 BRICK	12	CW	5874	7404	7410	7429	7328	82W	103K	.69 A	.40 A	.35 A	.30 A	.27 A	.19 A
	18	CW	8746	11023	11032	11061	10910	123W	103K	1.03 A	.60 A	.52 A	.45 A	.40 A	.29 A
4 BRICK	12	CW	7832	9872	9880	9906	9771	109W	103K	.91 A	.53 A	.46 A	.40 A	.35 A	.26 A
	18	CW	11661	14697	14710	14748	14547	164W	103K	1.37 A	.79 A	.69 A	.60 A	.53 A	.38 A
5 BRICK	12	CW	9790	12339	12350	12382	12213	136W	103K	1.14 A	.66 A	.57 A	.50 A	.44 A	.32 A
	18	CW	14576	18371	18387	18435	18183	204W	103K	1.70 A	.99 A	.85 A	.74 A	.66 A	.48 A
6 BRICK	12	CW	11749	14807	14820	14859	14656	164W	103K	1.37 A	.79 A	.69 A	.60 A	.53 A	.38 A
	18	CW	17492	22046	22065	22122	21820	245W	103K	2.05 A	1.18 A	1.03 A	.89 A	.79 A	.57 A

Cool White (5000K) 850 mA Drive Current

# of LED Bricks	# of LEDs per Brick	Color Temp	Delivered Lumens					System Wattage	B50 L70 @ 25°C	Amperage Draw					
			TYPE II	TYPE III	TYPE IV	TYPE 5M	TYPE 5W			120V	208V	240V	277V	347V	480V
1 BRICK	12	CW	2463	3104	3107	3115	3072	33W	78K	.28 A	.16 A	.14 A	.12 A	.11 A	.08 A
	18	CW	3645	4594	4598	4610	4547	49W	78K	.41 A	.24 A	.21 A	.18 A	.16 A	.12 A
2 BRICK	12	CW	4926	6208	6214	6230	6145	65W	78K	.55 A	.32 A	.28 A	.24 A	.21 A	.16 A
	18	CW	7290	9188	9196	9220	9094	98W	78K	.82 A	.48 A	.41 A	.36 A	.32 A	.23 A
3 BRICK	12	CW	7389	9312	9321	9345	9217	98W	78K	.82 A	.48 A	.41 A	.36 A	.32 A	.23 A
	18	CW	10935	13782	13794	13830	13641	147W	78K	1.23 A	.71 A	.62 A	.53 A	.48 A	.35 A
4 BRICK	12	CW	9852	12417	12427	12460	12290	130W	78K	1.09 A	.63 A	.55 A	.47 A	.42 A	.31 A
	18	CW	14580	18376	18392	18440	18188	195W	78K	1.62 A	.94 A	.82 A	.71 A	.63 A	.46 A
5 BRICK	12	CW	12315	15521	15534	15575	15362	163W	78K	1.36 A	1.79 A	.68 A	.59 A	.53 A	.38 A
	18	CW	18225	22970	22990	23050	22735	244W	78K	2.04 A	1.18 A	1.02 A	.89 A	.79 A	.57 A
6 BRICK	12	CW	14778	18625	18641	18690	18434	195W	78K	1.63 A	.94 A	.82 A	.71 A	.63 A	.46 A
	18	CW	21870	27564	27588	27660	27282	292W	78K	2.44 A	1.41 A	1.22 A	1.06 A	.94 A	.68 A

WARNING: Maintenance performed including the replacement of LED bricks while power is still supplied to the luminaire may result in system failures and will void the warranty.

LUMINAIRE CHARACTERISTICS CONTINUED

Neutral White (4100K) 630 mA Drive Current

# of LED Bricks	# of LEDs per Brick	Color Temp	Delivered Lumens					System Wattage	B50 L70 @ 25°C	Amperage Draw					
			TYPE II	TYPE III	TYPE IV	TYPE 5M	TYPE 5W			120V	208V	240V	277V	347V	480V
1 BRICK	12	NW	1886	2377	2379	2385	2352	28W	103K	.24 A	.14 A	.12 A	.11 A	.09 A	.07 A
	18	NW	2807	3538	3541	3551	3502	41W	103K	.35 A	.20 A	.18 A	.15 A	.14 A	.10 A
2 BRICK	12	NW	3771	4753	4757	4770	4705	55W	103K	.46 A	.27 A	.23 A	.20 A	.18 A	.13 A
	18	NW	5615	7077	7083	7101	7004	82W	103K	.69 A	.40 A	.35 A	.30 A	.27 A	.19 A
3 BRICK	12	NW	5657	7130	7136	7155	7057	82W	103K	.69 A	.40 A	.35 A	.30 A	.27 A	.19 A
	18	NW	8422	10615	10624	10652	10506	123W	103K	1.03 A	.60 A	.52 A	.45 A	.40 A	.29 A
4 BRICK	12	NW	7543	9506	9515	9539	9409	109W	103K	.91 A	.53 A	.46 A	.40 A	.35 A	.26 A
	18	NW	11230	14153	14166	14203	14009	164W	103K	1.37 A	.79 A	.69 A	.60 A	.53 A	.38 A
5 BRICK	12	NW	9428	11883	11893	11924	11761	136W	103K	1.14 A	.66 A	.57 A	.50 A	.44 A	.32 A
	18	NW	14037	17692	17707	17753	17511	204W	103K	1.70 A	.99 A	.85 A	.74 A	.66 A	.48 A
6 BRICK	12	NW	11314	14260	14272	14309	14114	164W	103K	1.37 A	.79 A	.69 A	.60 A	.53 A	.38 A
	18	NW	16844	21230	21248	21304	21013	245W	103K	2.05 A	1.18 A	1.03 A	.89 A	.79 A	.57 A

Neutral White (4100K) 850 mA Drive Current

# of LED Bricks	# of LEDs per Brick	Color Temp	Delivered Lumens					System Wattage	B50 L70 @ 25°C	Amperage Draw					
			TYPE II	TYPE III	TYPE IV	TYPE 5M	TYPE 5W			120V	208V	240V	277V	347V	480V
1 BRICK	12	NW	2372	2989	2992	3000	2959	33W	78K	.28 A	.16 A	.14 A	.12 A	.11 A	.08 A
	18	NW	3510	4424	4428	4439	4379	49W	78K	.41 A	.24 A	.21 A	.18 A	.16 A	.12 A
2 BRICK	12	NW	4744	5979	5984	5999	5917	65W	78K	.55 A	.32 A	.28 A	.24 A	.21 A	.16 A
	18	NW	7020	8848	8856	8879	8758	98W	78K	.82 A	.48 A	.41 A	.36 A	.32 A	.23 A
3 BRICK	12	NW	7115	8968	8976	8999	8876	98W	78K	.82 A	.48 A	.41 A	.36 A	.32 A	.23 A
	18	NW	10530	13272	13284	13318	13136	147W	78K	1.23 A	.71 A	.62 A	.53 A	.48 A	.35 A
4 BRICK	12	NW	9487	11957	11968	11999	11835	130W	78K	1.09 A	.63 A	.55 A	.47 A	.42 A	.31 A
	18	NW	14041	17696	17711	17758	17515	195W	78K	1.62 A	.94 A	.82 A	.71 A	.63 A	.46 A
5 BRICK	12	NW	11859	14947	14960	14999	14794	163W	78K	1.36 A	1.79 A	.68 A	.59 A	.53 A	.38 A
	18	NW	17551	22120	22139	22197	21894	244W	78K	2.04 A	1.18 A	1.02 A	.89 A	.79 A	.57 A
6 BRICK	12	NW	14231	17936	17951	17998	17752	195W	78K	1.63 A	.94 A	.82 A	.71 A	.63 A	.46 A
	18	NW	21061	26544	26567	26637	26273	292W	78K	2.44 A	1.41 A	1.22 A	1.06 A	.94 A	.68 A

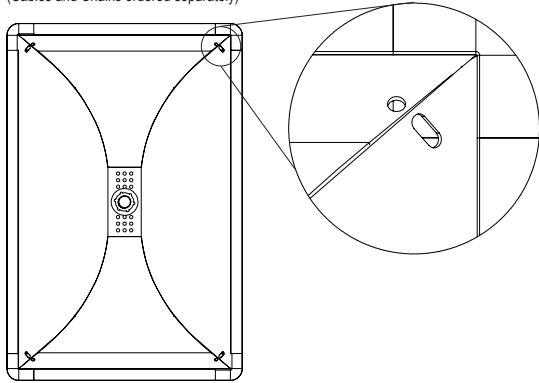
BUG RATINGS (BACKLIGHT, UPLIGHT AND GLARE)

Optic Type	BUG Ratings		
	B (Backlight)	U (Uplight)	G (Glare)
Type II (T2)	1	0	1
Type III (T3)	1	0	1
Type IV (T4)	1	0	1
Type V Medium (T5M)	2	0	1
Type V Wide (T5W)	3	0	1

LSBH Saber LED High Bay

MOUNTING DETAIL

Cable/Chain Mount Pass-thru Holes
(Cables and Chains ordered separately)



3/4" Myer's Hub for Rigid Pendant Mount
(Comes standard - 1/2" reducer bushing available)

