



Catalog Number	
Project	Type

FEATURES & SPECIFICATIONS

APPLICATION — The Katen Series of high output LED luminaires are designed for new outdoor lighting and to be a replacement for HID area lights. A compact, one-piece die cast housing, saving costs versus models that are extruded or cast and require additional parts. The heat sink is included in the actual casting, further minimizing the need for additional parts. Standard Arm Mount features an integral arm, increasing strength and simplifying installation. They are optimal for lighting applications where long life, low maintenance, and consistent color rendering is required. The high lumen output allows the fixture to be used for parking, restaurant, quick service, shopping centers, or general area lighting applications. The new KTN LED Area family delivers maximum value by providing significant energy savings, long life and outstanding photometric performance at an affordable price. The KTN delivers 10,000 to 39,000 lumens allowing it to replace up to (2) 1000W HID luminaires.

FINISH — Standard color available: Bronze. Heavy-duty housing is constructed of cast aluminum with corrosion resistant powder coat finish.

MOUNTING — Available with arm mount, specifically designed to provide one-for-one, and in some cases two-for-one, solutions for replacing existing metal halide or high pressure sodium lighting. An easy-access door on the bottom of mounting arm allows for wiring without opening the electrical compartment.

ELECTRICAL SYSTEM — Available in up to a 39,000 nominal lumens in a Type III distribution with 4000K Neutral White color temperature LEDs. Universal input voltage 120-277Vac, 50/60Hz.

WARRANTY — The complete luminaire is covered by a 5-year limited warranty.

CBKTN SERIES COMBO

Katen LED Area Light for Pole/Fixture Combo



SERIES	LENGTH / WIDTH / HEIGHT
KTN	13L ~ 19L: 10.4" x 2.3" x 17.6"
	31L ~ 39L: 13.6" x 2.5" x 22"

FEATURES & SPECIFICATIONS

POLE — The pole shaft is fabricated from hot rolled carbon steel having a minimum yield of 50,000 PSI and conforms to ASTM A500 grade C requirements. The shaft construction is a single piece of formed steel welded longitudinally. The hand hole is located 1' above the pole base. A ground lug is provided standard.

ANCHOR BASE — The anchor base is fabricated from a structural quality hot rolled carbon steel plate that has a minimum yield strength of 36,000 PSI. The anchor base telescopes the pole shaft and has a circumferential weld on the top and bottom.

BASE COVER — A full base cover is provided which encapsulates the base plate and anchor bolts to provide a clean transition from pier to pole.

FINISH — A Super Durable Polyester powder coat finish is electrostatically applied in our state of the art paint facility. Standard color available with quick-ship promotion: Bronze.

SSP Series Pole for Pole/Fixture Combo

20' Steel 4" Square 11 Gauge Pole

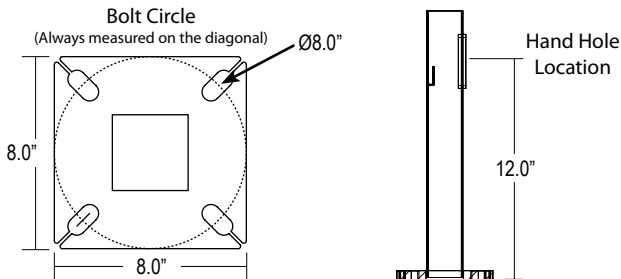


Technical Data

Nominal Pole Height	20'-0"
Shaft Dimensions	20' x 4"
Wall Gauge	11 Gauge
Bolt Circle	8.0"
Bolt Size	3/4" x 18" x 3"
Base Plate Dimensions	8.0" sq. x .75" thk.
Est. Shipping Weight	149 lbs

Max EPA (1.3 Gust)

90 mph	9.2
100 mph	6.6
110 mph	4.7
120 mph	3.2
130 mph	2.1
140 mph	1.2



Ordering Guide

13,000 Nominal Lumens



13L
Output
ID

CBKTN			
SERIES	WATTAGE/NOMINAL LUMENS	# OF FIXTURES/POLE	FINISH
Combined KTN/Pole Set	13L = 101 Watts, 13,000 Lumens	1 = 1 Fixture 2 = 2 Fixtures 3 = 3 Fixtures 4 = 4 Fixtures	BZ = Bronze

19,000 Nominal Lumens



19L
Output
ID

CBKTN			
SERIES	WATTAGE/NOMINAL LUMENS	# OF FIXTURES/POLE	FINISH
Combined KTN/Pole Set	19L = 148 Watts, 19,000 Lumens	1 = 1 Fixture 2 = 2 Fixtures 3 = 3 Fixtures 4 = 4 Fixtures	BZ = Bronze

31,000 Nominal Lumens



31L
Output
ID

CBKTN			
SERIES	WATTAGE/NOMINAL LUMENS	# OF FIXTURES/POLE	FINISH
Combined KTN/Pole Set	31L = 232 Watts, 31,000 Lumens	1 = 1 Fixture 2 = 2 Fixtures 3 = 3 Fixtures 4 = 4 Fixtures	BZ = Bronze

39,000 Nominal Lumens



39L
Output
ID

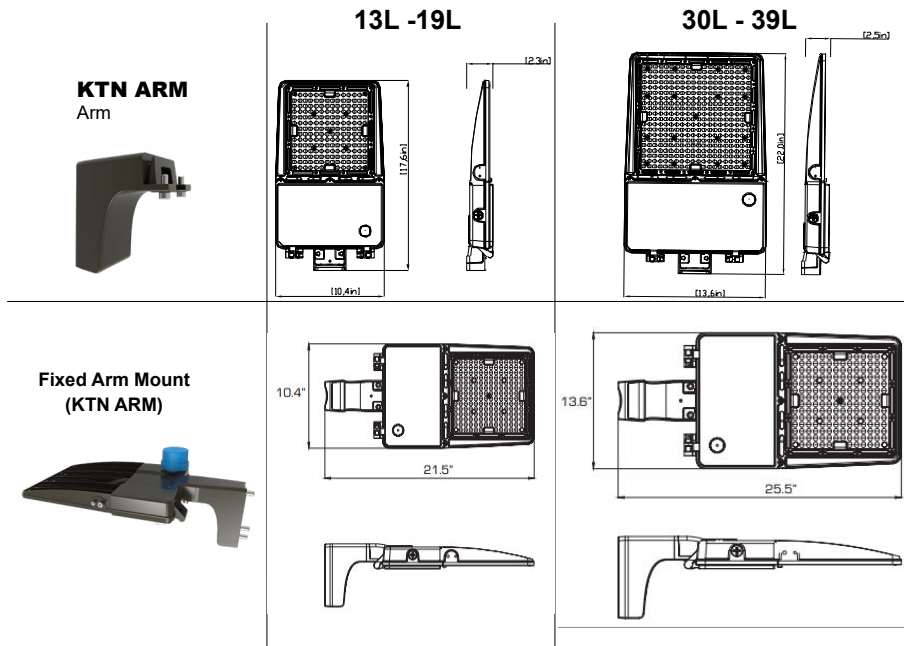
CBKTN			
SERIES	WATTAGE/NOMINAL LUMENS	# OF FIXTURES/POLE	FINISH
Combined KTN/Pole Set	39L = 293 Watts, 39,000 Lumens	1 = 1 Fixture 2 = 2 Fixtures 3 = 3 Fixtures 4 = 4 Fixtures	BZ = Bronze

4000K, Type III, 120/277V, Bronze Finish, Arm Mount w/20' Steel 4" Square 11-Gauge Pole

CBKTN Pole and LED Area Light Combo

FIXTURE DIMENSIONS

Dimensions shown are for fixture bodies only. Mounting options must be ordered separately. Fixture shown with arm sold separately.



LUMINAIRE CHARACTERISTICS

Angle	100W - 150W					240W - 300W				
	0	20	30	45	60	0	20	30	45	60
KTN ARM	0.40	n/a	n/a	n/a	n/a	0.50	n/a	n/a	n/a	n/a
KTN ARM 2180	0.80	n/a	n/a	n/a	n/a	0.90	n/a	n/a	n/a	n/a
KTN ARM 290	0.70	n/a	n/a	n/a	n/a	0.80	n/a	n/a	n/a	n/a
KTN ARM 3120	1.10	n/a	n/a	n/a	n/a	1.30	n/a	n/a	n/a	n/a
KTN ARM 3121	1.10	n/a	n/a	n/a	n/a	1.30	n/a	n/a	n/a	n/a
KTN ARM 490	1.40	n/a	n/a	n/a	n/a	1.60	n/a	n/a	n/a	n/a

TYPE III OPTIC

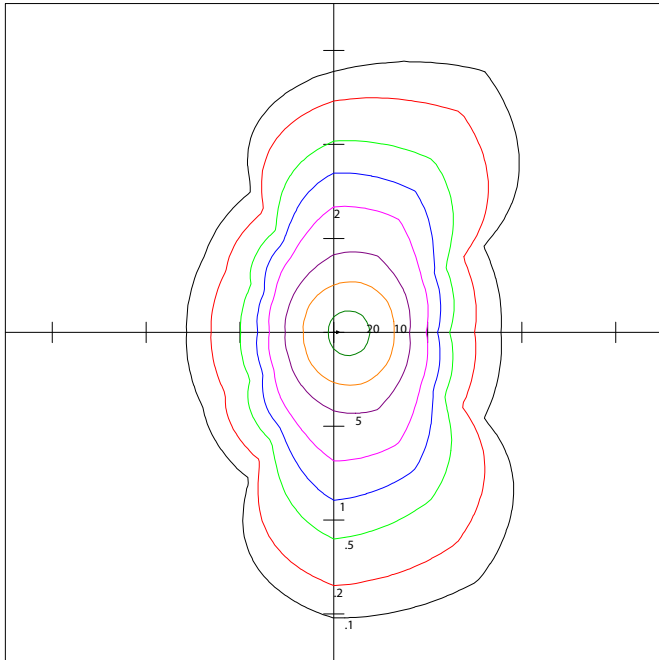
Output ID	Nominal Lumens	System Lumens	System Watts	Lm/W	Amperage Draw		Max Wind Zone
13L	13,000	13,643	101	135	120V	277V	130mph
		B3-U3-G4			0.85 A	0.37 A	
19L	19,000	19,927	148	135	120V	277V	130mph
		B3-U3-G5			1.24 A	0.54 A	
31L	31,000	32,343	232	139	120V	277V	130mph
		B4-U3-G4			1.94 A	0.84 A	
39L	39,000	40,571	293	139	120V	277V	130mph
		B4-U3-G5			2.45 A	1.06 A	



TECHLIGHT
INNOVATION IN ILLUMINATION

PHOTOMETRIC CHARACTERISTICS

TYPE III OPTIC



Techlight
KTNC39LT31BZ

Horizontal Footcandles
Scale: 1 Inch = 35 Ft.
Light Loss Factor = 1.00
Lumens Per Lamp = 41587.9
Total Lamp Lumens = 41587.9
Mounting Height = 20.00 Ft
Maximum Calculated Value = 25.10 Fc
Arrangement: Single



TECHLIGHT
INNOVATION IN ILLUMINATION