



Catalog Number	
Project	Type

Features & Specifications

Application

Wall/Vanity fixtures are useful for illuminating corridors, stairwells, lavatories, dressing rooms, patient rooms also for utility/area and task lighting.

Features

Optimized for T8 or T5 lamp performance. To direct illumination up or down, fixture is equipped with a matching metal front.

Construction

Housing constructed of structurally embossed, heavy gauge, cold rolled steel with clear ribbed acrylic lens.

Electrical System

ETL listed. Suitable for damp locations. Damp location emergency pack must be specified separately. Ballasts are solid-state electronic. Ballasts and lamp holders are replaceable without removing from wall.

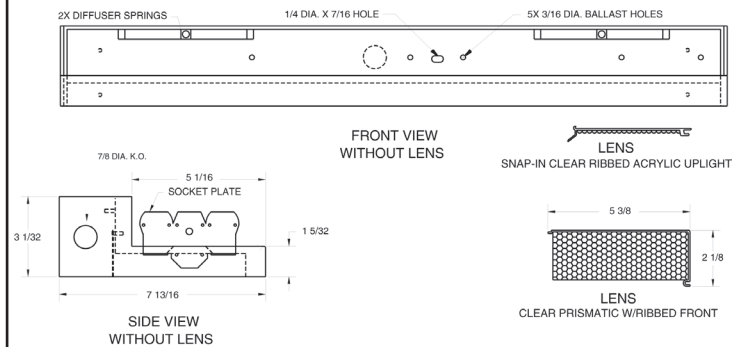
Finish

All reflective surfaces are finished with a high reflectance, lighting fixture white polyester powder.

WV1500 SERIES WALL / VANITY 1500



DIMENSIONS



Please contact your Horizon Sales Representative for more information.
All dimensions subject to change without notice.

Ordering Nomenclature

Ex: (Wall Vanity 1500, 2 Lamp, F32T8, 49", White Finish, Multi-Volt = WV150023249WD)

--	--	--	--	--	--	--	--

SERIES	NUMBER OF LAMPS	WATTAGE	LENGTH	FINISH	VOLTAGE	BALLAST FACTOR	OPTIONS	
WV1500	2	17 - 17 watt T8 (24")	25"	W - White	D - Multi-Volt	BLANK - Normal	10RS - ≤10% THD, Rapid Start	
	3	25 - 25 watt T8 (36")	37"	BL - Black	1 - 120V	H - High	P - Program Start	
		32 - 32 watt T8 (48")	49"		2 - 277V		20 - ≤20% THD	
			28T8 - 28 watt T8 (48")			3 - 347V	L - Low	EB5 - 500 Lumen Emergency Ballast
			28T5 - 28 watt T5 (46")			4 - 480V		EB7 - 700 Lumen Emergency Ballast
		*CFL - SPECIAL ORDER					EB14 - 1400 Lumen Emergency Ballast	
							EB30 - 3000 Lumen Emergency Ballast	
							FBF - Fast-Blow Fuse	
							SBF - Slow-Blow Fuse	
							PC - Pull Chain	
							PC3 - 3 Step Pull Chain	
							RS - Rocker Switch	
							CO - Convenience Outlet	
							CO2 - GFCI Convenience Outlet	