



Catalog Number	
Project	Type

Features & Specifications

Application

Retrofit Kits are a great way to modify an existing fixture to save time and energy.

Features

TRK Series is a complete reflector system, including socket plates for lamp relocation to provide maximum efficiency. Used to delamp from 4 lamps to 2 T8 lamps in grid ceiling 2'x2' or 2'x4' troffers. This retrofit system allows for removal and discarding of the ballast cover, relocation of lamps, optimizing light output and reducing energy consumption to comply with utility rebate requirements.

Electrical System

Reflector kit is U.L. classified as a ballast cover.

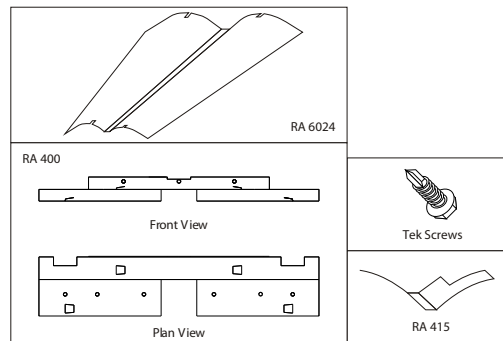
Finish

All reflective surfaces are finished with white polyester powder or Miro 4 finish.

TRK SERIES TROFFER RETROFIT



DIMENSIONS



Please contact your Horizon Sales Representative for more information.

*All Dimensions subject to change without notice

Ordering Nomenclature

Ex: (2X4, 2 Lamp Retrofit Kit, 32W T8, Miro 4 Reflector, Multi-Volt, NPF Ballast = TRK24232MD)

--	--	--	--	--	--

SERIES	NUMBER OF LAMPS	WATTAGE	REFLECTOR	VOLTAGE	BALLAST FACTOR
TRK22 (2x2)	2	2X2 14 - 14W T5, 22"	W - White	D - Multi-Volt	BLANK - Normal
TRK24 (2x4)		17 - 17W T8, 24" 2X4 32 - 32W T8, 48" 54 - 54W T5HO, 46"	M - Miro 4	*Multi-Volt is 120/277V	H - High L - Low