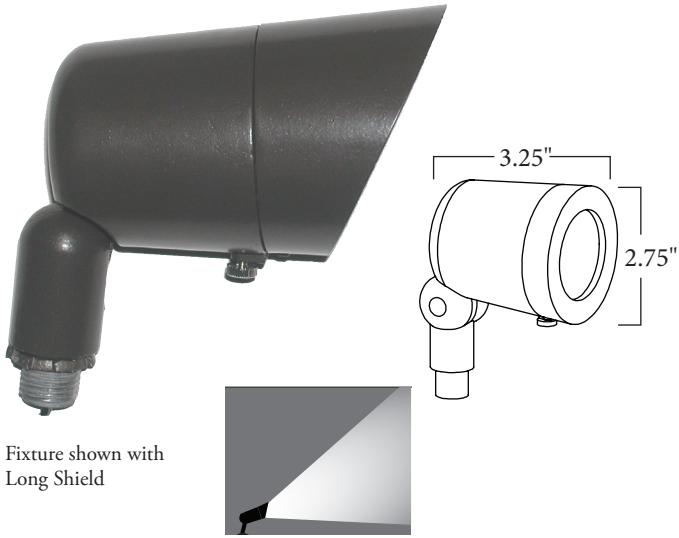


TLOMR16

Low Voltage MR16 Bullet



Fixture shown with Long Shield

DESIGN

The TLOMR16 Series of low voltage MR16 bullets are sleek and low profile. Nearly seamless integration of the shield assembly removes the opportunity for debris and water to accumulate. The array of MR16 color temperatures and beam spreads available make these fixtures indispensable for directional flood and spot lighting applications.

ACCESSORIES



ORDERING INFORMATION

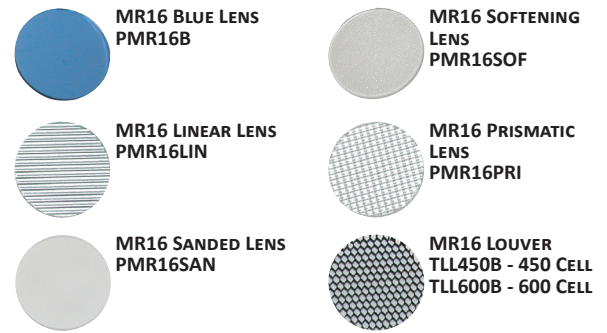
| Description | Part Number |
|-----------------------------------|---------------|
| MR16 QUARTZ FIXTURE, FLUSH SHIELD | TLOMR16F- (A) |
| MR16 QUARTZ FIXTURE, LONG SHIELD | TLOMR16- (A) |

Option Codes

- (A) Finish
- BK - Black
- BZ - Bronze
- GR - OD Green
- WH - White
- VRD - Verde
- SP - Special

*Lamps not included

SHIELD/LENS



TECHNICAL INFORMATION

Constructed of die cast zinc, it comes standard with a 1/2" threaded knuckle mount. Light sources available up to 50W MR16 bi-pin base. The fixture is finished with a durable polyester powdercoat paint.