



Catalog Number	
Project	Type

FEATURES & SPECIFICATIONS

APPLICATION — The TDBX-RGBW line of LED Landscape Direct Burial Lights are the most versatile color tunable LED fixtures on the market today. Tunable color replicates the color and beauty of full spectrum sunlight while also providing access to a wide gamut of pastels and saturated colors. A wide range of colors enables delivery of lighting profiles that expertly resolve the multiple, yet specific, lighting objectives within a space. Various beam spreads allow for a customized finish to any property. The high end commercial grade system was designed for 120V-277V operation commercial applications.

CONTROLS— The fixtures are tuned via the Araya 5 Tunable Color iOS App by ERP Power. *This app is only available on the App Store for iOS devices.* The Zhaga-compliant LED arrays are compatible with traditional 0 - 10V wired controls and feature on-board Bluetooth Low Energy (BLE).

CONSTRUCTION — The rough-in housing is made of black 25% glass filled polyester composite that will not flake, peel or corrode. The LED light source is housed within an 88% copper bronze alloy heat sink module for maximum heat dissipation. Internal cabling features anti-siphon wiring to prevent water intrusion as well as IP68 quick connects for quick change out and ease of installation. Silicone O-rings work with the CNC precision machined components to insure proper sealing. All fasteners provided are stainless steel. Trim plate made of 88% copper bronze alloy.

OPTICAL SYSTEM — High-power round LED array that mixes five colors of LEDs to deliver tunable and dimmable white light at 90+ CRI* with color consistency of <2 step MacAdam ellipse (SDCM) across a tuning range of 1650 - 8000K. A molded polycarbonate compact reflector is optimized for use with the color tunable LED light source allowing the fixture to be compact. The reflector smooths out and removes any unwanted color-over-angle artifacts from the beam. A 15mm low-iron tempered glass lens protects the light source.

ELECTRICAL SYSTEM — Class II driver. Fixture operates at 120V-277V. On-board closed loop thermal feedback compensates each color channel for thermally induced variations in light output due to dimming or changes in ambient temperatures. On-board closed loop optical feedback measures the lumen depreciation of each channel and re-balances the color model to ensure color consistency over the 50,000 hour life of the LED array. 10kV internal surge protection provided standard. Delivered light can be dimmed from 100 - 0.1% at constant CCT. 100 - 0.1% dimming is available when connected to 0.1% dimming-capable digital controls. 100 - 1% dimming is available with analog 0 - 10V control. From 1650 - 8000K, down to 5% dim level.

TDBX-RGBW SERIES

COLOR TUNABLE LED DIRECT BURIAL INGROUND LIGHT



SERIES	HOUSING HEIGHT	DIAMETER
TDBX-RGBW	10.87"	9.50"

MOUNTING — Fixtures are designed to be in-ground burial lights and should be installed according to the installation instructions made available by Techlight. Proper drainage and substrate must be provided around the fixture. Two 1/2" & two 3/4" conduit entries are supplied on the underside of the housing. 1/2" conduit side entries available upon request. Concrete pour kits available (see Accessories). Rough-in housing may be pre-shipped³ at customer's request, order TDBX-RIH.

LISTINGS — ETL suitable for wet locations. IP68 $\frac{3m}{3m}$ rated to 3 meters. Meets US and Canadian safety standards. -40°C to 40°C ambient operation. RoHS Compliant.

ORDERING INFORMATION

Choose the bold face options for the appropriate luminaire configuration for your application and enter on the line above each fixture attribute. Accessories may be factory installed, depending on the particular accessory chosen, but still be ordered as a separate line item.

EXAMPLE:

TDBX 90DR RGBW D BZ SRL

TDBX	SERIES	NOMINAL DISTRIBUTION	COLOR TEMP	VOLTAGE	FINISH	OPTIONS
		90DR = 90° 60DR = 60° 45DR = 45° 30DR = 30°	RGBW = Color / White Tunable	D = Multi-Volt ¹	BLANK = Natural Brass Finish ² BZ = Bronze Powder Coat Finish ³ BK = Black Powder Coat Finish ³ AC = Aged Copper Finish Plated BC = Bright Copper Finish Plated BN = Brushed Nickel Finish Plated	SCE = 1/2" Side Conduit Entry SRL = Slip Resistant Lens

ACCESSORIES (Order as separate line items)

TDBX-PK TDBX Concrete/Paver Kit (Stainless Steel)
TDBX-RIH⁴ Rough-In Housing
K126925⁴ TDBX-PK with TDBX-RIH
K126925SCE⁴ TDBX-PK with TDBX-RIH and 1/2" Side Conduit Entry

NOTES

- 1 = Multi-Volt is an auto ranging power supply from 90V to 305V.
- 2 = Additional cost for all Trim Finish Coats, outside of "Blank", natural brass finish. See Price Guide for additional pricing info.
- 3 = Bronze and Black finishes consist of a polyester powder coat applied to the exposed areas of the cast lens frame only. If no finish is specified ("Blank" option), the lens frame will be provided as natural cast bronze.
- 4 = **To have rough-in housing pre-shipped**, please enter purchase order with two separate line items: TDBX-RIH (Rough-In Housing), K126925 (RIH&Paver Kit) or K126925-SCE and the fixture catalog string with the prefix "FS-" for Finishing Section.
(Example: **FS-TDBX90DRRGBWDBZSLR & TDBX-RIH; K126925 or K126925SCE**)

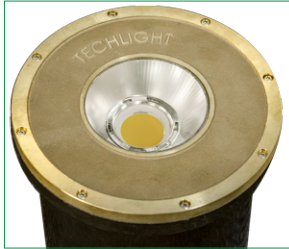
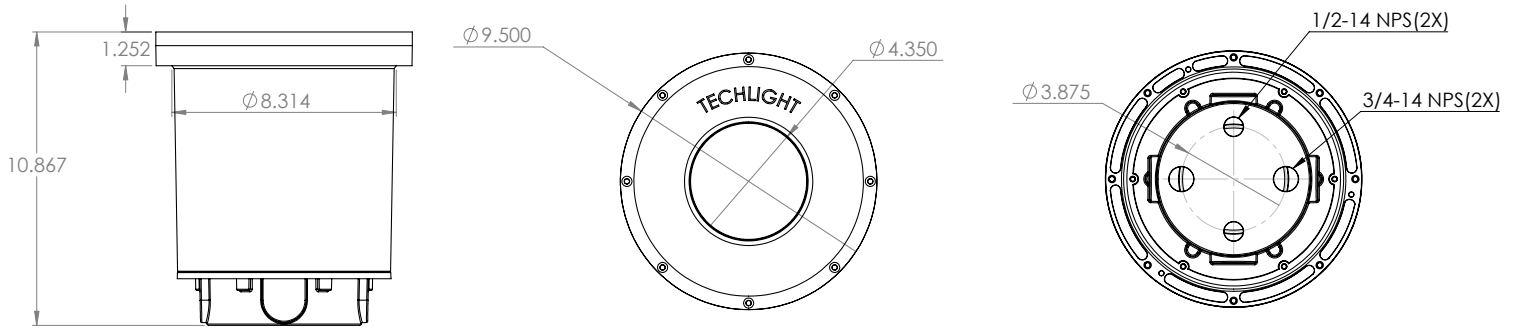


TDBX-RGBW COLOR TUNABLE LED DIRECT BURIAL INGROUND LIGHT

TECHNICAL DATA

Fixture	Tunable Range	Nominal Wattage	CRI	Color Control	Dimming Threshold	Color Accuracy	Peak Lumen Output
TDBX Chameleon	1650 - 8000K	20 - 60W	90+ (2000-6000K)	Saturation and Hue	0.1 %	≤2 SDCM	990 - 4350 LM (w/ Diffuser)

FIXTURE DIMENSIONS

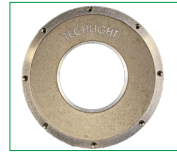


A molded polycarbonate 82mm compact reflector is optimized for use with the LED light source allowing the fixture to be compact while using high efficiency RGBW LEDs.

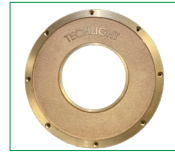


ORDER KIT# K126925

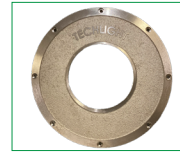
Contains the **TDBX-PK**, Concrete/Paver Install Kit, which is a high grade rolled stainless steel mounting ring used with the **TDBX-RIH**, Rough-In Housing, to provide simple and consistent installation into concrete or pavers. A cover is provided with the rough-in housing to keep debris and concrete out of the fixture housing.



BN = Brushed Nickel Finish



AC = Aged Copper Finish

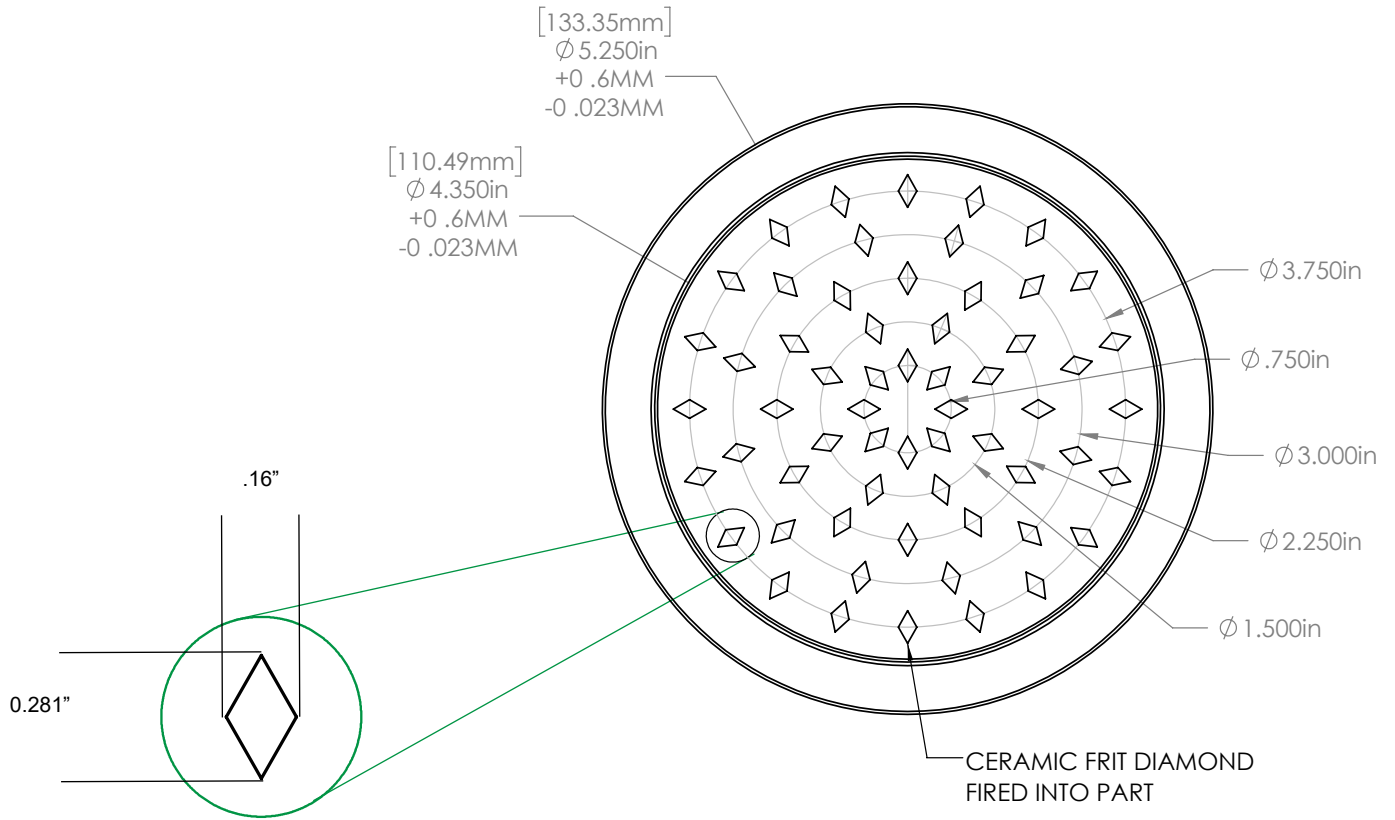


BC = Bright Copper Finish



TECHLIGHT
INNOVATION IN ILLUMINATION

SRL - Slip Resistant Lens



TECHLIGHT
INNOVATION IN ILLUMINATION