



## 20 Amp Pole Mounted Surge Protector with Indicator Light

Catalog Number	
Project	Type

### FEATURES & SPECIFICATIONS

**APPLICATION** — The SP20A is designed for use in conjunction with LED Drivers to provide an additional level of protection against powerline disturbances in industrial and commercial applications. Also protects electronic fluorescent and HID ballasts.

**FINISH** — Super Durable Polyester powder coat finish is electrostatically applied in our state of the art paint facility. Standard colors available: Black, Bronze, US Green, White. Custom colors available upon request.

**FEATURES** — 5-leaded device that protects Line-Ground, Line-Neutral, and Neutral-Ground in accordance with IEEE / ANSI C62.41.2 guidelines. Provides a positive indication of End-of-Life by opening voltage to the fixture, and turning off the fixture. Includes a green LED indicator. When lit, it indicates that the surge protector is fully functional and providing protection to the fixture. When unlit, it indicates that the surge protector has reached End-of-Life and needs to be replaced. Protects against surges according to IEEE C62.41.2 C High (20kA and 10kV). Protects against surges according to ANSI C136.2. Max surge current = 20,000 Amps using industry standard 8/20  $\mu$ Sec wave. 7.0 Amp maximum load. Surge Location Rated Category C3. High temp, flameproof plastic enclosure; 85°C max surface temp rating.

**MOUNTING** — The SP20A unit is provided with either a 3.0" x 5.0" or 3.0" x 8.0" hand hole cover to replace the existing pole hand hole cover. Mounting hardware provided.

**LISTING** — Internal fused surge protector a UL Recognized Component in the United States and Canada (UL1449). Complies with IEC 61643-11; 8.3.4.3. IP65 rated.



SERIES	LENGTH & WIDTH
<b>SP20A</b>	3.0" x 5.0" or 3.0" x 8.0"

### ORDERING INFORMATION

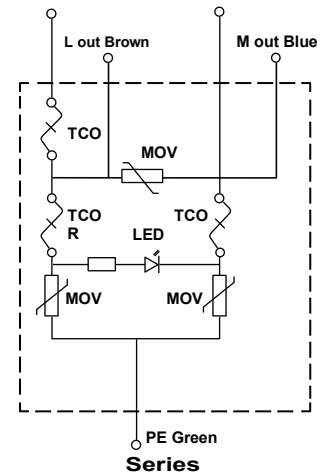
Choose the bold face options for the appropriate luminaire configuration for your application and enter on the line above each fixture attribute. Accessories may be factory installed, depending on the particular accessory chosen, but still be ordered as a separate line item.

EXAMPLE:  
**SP20A120-277VL3X5GR**

SP20A				
SERIES	VOLTAGE	INDICATOR LIGHT	HAND HOLE SIZE	FINISH
	<b>120-277V</b> = 120-277V <b>480V</b> = 480V	<b>L</b> = LED Light	<b>3X5</b> = 3.0" x 5.0" <b>3X8</b> = 3.0" x 8.0"	<b>BZ</b> = Bronze <b>BK</b> = Black <b>GR</b> = US Green <b>WH</b> = White <b>SP</b> = Special <sup>1</sup>

### WIRING SCHEMATIC

**\*\* Wiring schematic must be wired in series \*\***

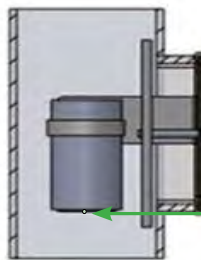


### NOTES

<sup>1</sup> = Custom RAL color matching is available. Contact your sales representative for additional info.

### PULSE RATING (8 x 20 $\mu$ Sec)

STRIKES	SURGE
1	20,000 A
2	15,000 A
15	10,000 A
120	3,000 A



LED  
INDICATOR LIGHT



TL#	Operating Voltage	In	IMAX	Uoc	MCOV	Clamp Voltage	Thermal Fusing	3-Mode Protection	Gas Discharge Tube	Green Diagnostic Light	Mounting Bracket	Operating Temperature	Series or Parallel
102087	120V-277V	10kA	25kA	20kV	320V	1300V	✓	✓	✓	✓	✓	-40°C to +70°C	Series
102330	480V	10kA	25kA	20kV	550V	1800V	✓	✓	✓	✓	✓	-40°C to +70°C	Series

**WARNING: Wiring schematic must be wired in series!!**