



Catalog Number	
Project	Type

## Features & Specifications

### Application

This fixture is designed for surface ceiling mounting.

### Features

Optimized for T8 or T5 lamp performance. Computer-aided housing design allows for optimum luminaire efficiency. Cam action latches and die formed T-hinges for door insertion from either side.

### Construction

Housing constructed of structurally embossed, heavy gauge, cold rolled steel. Die-formed flat steel door with mitered corners for clean appearance. Wire way covers snap in for easy attachment and removal. Access plate provides top access to wire way.

### Electrical System

ETL listed. Suitable for damp locations. Damp location emergency pack must be specified separately. Ballasts are solid-state electronic. Ballasts and lamp holders are replaceable without removing from ceiling. Discrete voltage must be specified for emergency pack options when wired with flex.

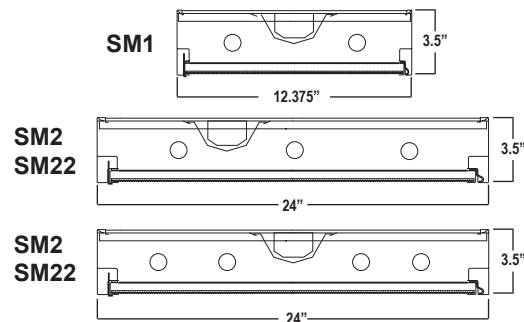
### Finish

All reflective surfaces are finished with a high reflectance, lighting fixture white polyester powder.

## SM SERIES SURFACE MOUNT



### DIMENSIONS



Please contact your Horizon Sales Representative for more information.  
All dimensions subject to change without notice.

### Ordering Nomenclature

Ex: (2X4 Surface Mount, 4 Lamps, F32T8, #12 Acrylic Pattern, .100" thick lens, White Flush Door, Multi-Volt = SM2432SWD)

--	--	--	--	--	--	--	--

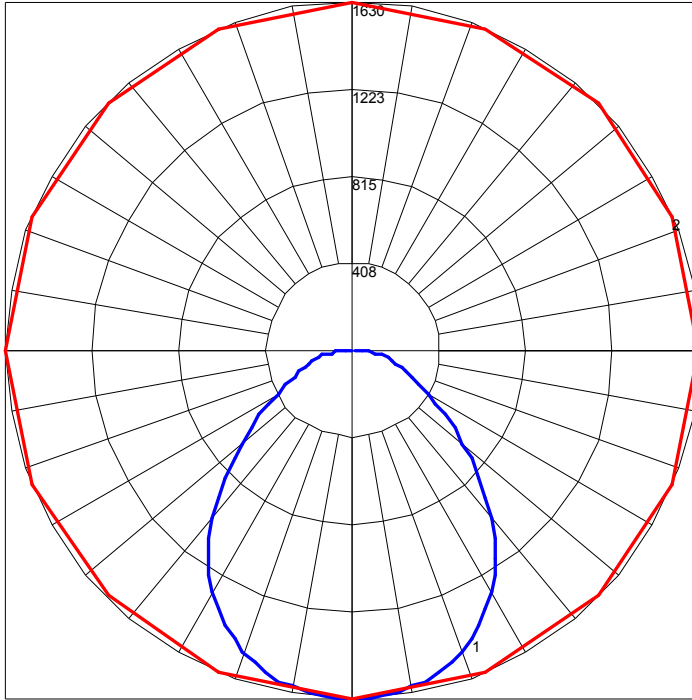
SERIES	NUMBER OF LAMPS	WATTAGE/TYPE	DIFFUSER TYPE	DOOR FRAME	VOLTAGE	BALLAST FACTOR	OPTIONS
SM1 1X4	2	17 - 17W T8, 24"	BLANK-#12 Acrylic .100" thick	SW - Flush Steel White	D - Multi-Volt	BLANK - Normal	10RS - ≤10% THD, Rapid Start
SM2 2X4	3	25 - 25W T8, 24"	A - #12 Acrylic .125" thick	AN - Flush Alum Natural	1 - 120V	H - High	P - Program Start
SM22 2X2	4	U31 - 31W T8 U, 1 1/2" Leg U316 - 31W 8T U, 6" Leg CF39 - 39W TT5, 24" CF40 - 40W TT5, 24" CF50 - 50W TT5, 24" CF55 - 55W TT5, 24" 1X4 and 2X4 28T8 - 28W T8, 48" 28T5 - 28W T5, 46" 30 - 30W T8, 48" 32 - 32W T8, 48" 48HO - 60W 800mA, 48" 54 - F54T5HO, 46"	B - #19 Acrylic .156" thick C - #15 Acrylic .125" thick D - #20 Acrylic .140" thick E - 1/2" Egg Crate	AB - Flush Alum Matte Black AW - Flush Alum White RN - Regressed Alum Natural RB - Regressed Alum Matte Black RW - Regressed Alum White	2 - 277V 3 - 347V 4 - 480V  *Multi-Volt is 120/277V	L - Low	20 - ≤20% THD EB5 - 500 Lumen T8 Emergency Ballast EB7 - 700 Lumen T8 Emergency Ballast EB14 - 1400 Lumen T8 Emergency Ballast EB30 - 3000 Lumen T8 Emergency Ballast EB5T5 - 500 Lumen T5 Emergency Ballast EB7T5 - 700 Lumen T5 Emergency Ballast EB14T5 - 1400 Lumen T5 Emergency Ballast FBF - Fast-Blow Fuse SBF - Slow-Blow Fuse AC63 - 6', 3/8" dia., Armored Flex Cable SJ6 - 6', 3/8" dia., 16/3 SJ Cord SJ10 - 10', 3/8" dia., 16/3 SJ Cord SJ15 - 15', 3/8" dia., 16/3 SJ Cord PWO - Palletized without Cartons CD - Continuous Dimming (T8) SD - Step Dimming (T8) CD5 - Continuous Dimming (T5) SD5 - Step Dimming (T5) WOC - 120/347 Volt Sensor WOC1 - 480 Volt Sensor C1 - 6' Cord w/120V Nema Plug 16/3 15A C2 - 6' Cord w/277V Nema Plug 16/3 15A C3 - 10' Cord w/277V Nema Plug 16/3 20A C4 - 6' Cord w/480V Nema Plug 16/3 20A

### ADDITIONAL OPTIONS

- SMHBWG6 -Wire Guard 2x4
- I0 - Inboard/Outboard (2 lamp-2 lamp)
- I01 - Inboard/Outboard (1 lamp-2 lamp)
- I02 - Inboard/Outboard (1 Lamp, 3 Lamp)

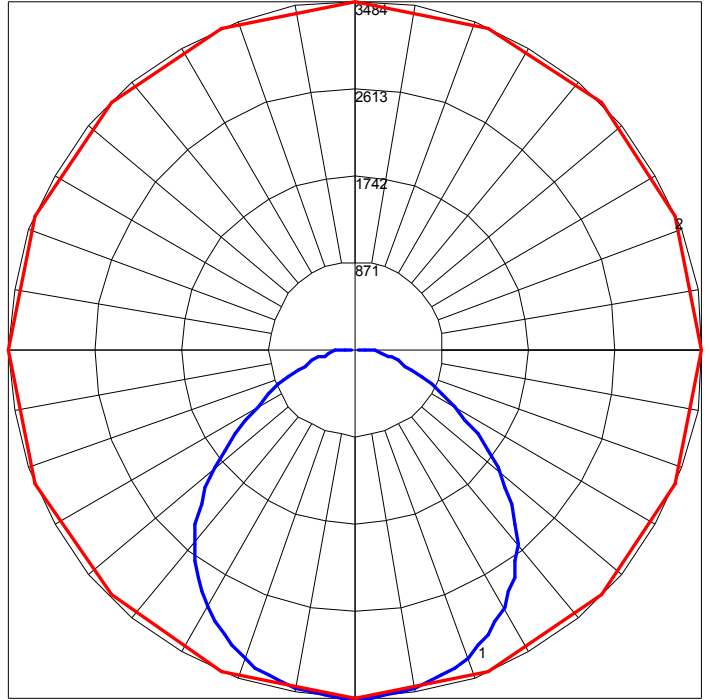
Energy Saving Tip!  
Our Occupancy Sensor option instantly turns lights on and off

POLAR GRAPH



Maximum Candela = 1630 Located At Horizontal Angle = 0, Vertical Angle = 2.5  
# 1 - Vertical Plane Through Horizontal Angles (0 - 180) (Through Max. Cd.)  
# 2 - Horizontal Cone Through Vertical Angle (2.5) (Through Max. Cd.)

POLAR GRAPH



Maximum Candela = 3484 Located At Horizontal Angle = 22.5, Vertical Angle = 2.5  
# 1 - Vertical Plane Through Horizontal Angles (22.5 - 202.5) (Through Max. Cd.)  
# 2 - Horizontal Cone Through Vertical Angle (2.5) (Through Max. Cd.)