



Catalog Number	
Project	Type

## Features & Specifications

### Application

This indirect fixture is designed for wall mounting applications where aesthetics and performance are both needed.

### Features

Designed to mount to a wall bracket (provided) that compensates for uneven surfaces and allows for recessed electrical boxes. Louvers give a better than 45 degree cutoff to the lamp. Forward throw design optical system maximizes the output of T5 and T8 lamps.

### Construction

Heavy gauge roll formed steel housing with slots covered by an opaque overlay. Units are shipped with die cast aluminum joiners installed for structural continuity and for attaching other units for continual runs or end caps.

### Electrical System

ETL listed. Suitable for damp locations. Damp location emergency pack must be specified separately. Ballasts are solid-state electronic. Ballasts and lamp holders are replaceable without removing from ceiling. Discrete voltage must be specified for emergency pack options when wired with flex.

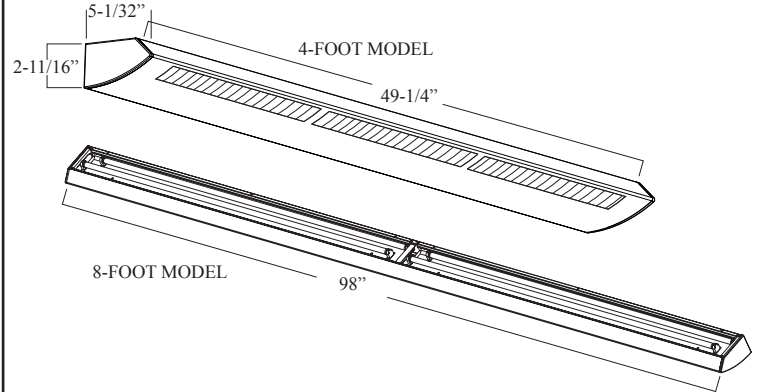
### Finish

All reflective surfaces are finished with a high reflectance, lighting fixture white polyester powder.

## LWL SERIES LOUVERED WALL LIGHT



### DIMENSIONS



Please contact your Horizon Sales Representative for more information.  
All dimensions subject to change without notice.

### Ordering Nomenclature

Ex: (Louvered Wall Light, 2 Lamps, F32T8, White Fixture, Multi-Volt = LWL232WD)

--	--	--	--	--	--	--	--

SERIES LWL	NUMBER OF LAMPS PER CROSS SECTION 2	WATTAGE/TYPE 28T5 - 28W T5, 48" 32 - 32W T8, 48" 54 - 54W T5HO, 48"	LOUVER COLOR BLANK - Aluminum	FIXTURE COLOR BLANK - White T - Titanium B - Black	VOLTAGE D - Multi-Volt 1 - 120V 2 - 277V 3 - 347V 4 - 480V  *Multi-Volt is 120/277V	BALLAST FACTOR BLANK - Normal H - High L - Low	OPTIONS 10RS - ≤10% THD, Rapid Start P - Program Start 20 - ≤20% THD EB5 - 500 Lumen Emergency Ballast EB7 - 700 Lumen Emergency Ballast EB14 - 1400 Lumen Emergency Ballast EB30 - 3000 Lumen Emergency Ballast FBF - Fast-Blow Fuse SBF - Slow-Blow Fuse PWO - Palletized without Cartons CD - Continuous Dimming (T8) SD - Step Dimming (T8) WOC - 120/347 Volt Sensor WOC1 - 480 Volt Sensor WH34 - Wiring Harness 3-Wire 4-Foot WH44 - Wiring Harness 4-Wire 4-Foot WH54 - Wiring Harness 5-Wire 4-Foot WH38 - Wiring Harness 3-Wire 8-Foot WH48 - Wiring Harness 4-Wire 8-Foot WH58 - Wiring Harness 5-Wire 8-Foot
For tandem double-length unit, add suffix T Ex: LWLT	(Tandem fixture bodies will have two cross sections per fixture doubling the length and number of lamps per fixture)						

Energy Saving Tip!  
Our Occupancy Sensor option instantly turns lights on and off