



CBS24 SERIES

2x4 Center Basket Selectable LED Troffer

Catalog Number	
Project	Type



FEATURES & SPECIFICATIONS

APPLICATION — The Techlight center basket, selectable, troffer includes ability to adjust CCT and Lumen output with the flip of a selector switch. CBS provides impressive appearance and soothing glare diffusion, as well as high efficiency illumination and CCT adjustment, within a single fixture. Adjustments from a warm 3500K to a crisp 5000K, along with full range brightness adjustment. This fixture series allows setting of the ambiance necessary for the application, in one simple step. From welcoming entryways to invigorating office spaces, banks, supermarkets, or even libraries. This 2x4 provides an output range from 4237LM to 6987LM at 29W to 48W, with an efficacy that reaches 162 lm/w.

CONSTRUCTION — Low profile body with matte white sloped side members. Extruded acrylic lens. The CBS housing is constructed of structurally embossed, 22 gauge cold rolled steel. Shallow, light housing for easy installation. Post painted body with smooth sides for safe handling. Extra reinforcement in the body to create additional rigidity.

FINISH — Post painted housing and components with a Lighting White Polyester type paint which has a UV stabilizer included with a 93% reflectivity. Raw steel goes through our wash system and pretreatment "rust inhibitor" before passing through a preheat oven. After the paint is applied, the fixture then passes through the cure oven for maximum adhesion. Each fixture is painted to a minimum of 2-3 mil thickness for extra durability.

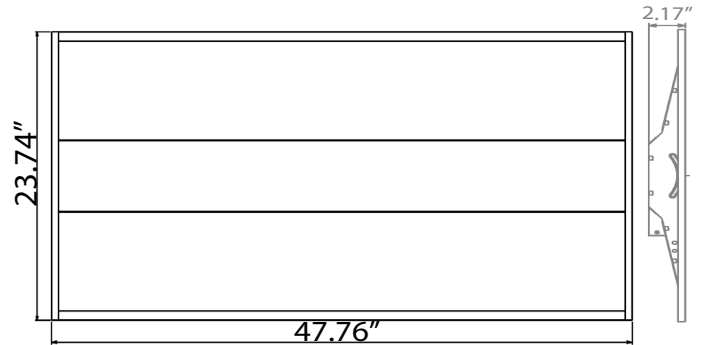
DIFFUSER SYSTEM — High performance LED light engine delivers illuminance through diffused frosted acrylic lens. The linear diffused acrylic lens manages the balance between efficiency and aesthetics.

ELECTRICAL SYSTEM — Long life LEDs and high efficiency drivers work together to provide superior performance in an efficient package to deliver optimal performance. LEDs available in 3500K, 4000K and 5000K. Electronic drivers are available in 100-277V applications. 0-10V dimming capability provided standard. Operating Temperature Range -25C to 40C.

LISTINGS — ETL IC rated for dry and damp locations.

WARRANTY — The complete luminaire is covered by a 5-year limited warranty.

SERIES	HOUSING HEIGHT	LENGTH & WIDTH
CBS24	2.17"	47.76" x 23.74"



ORDERING INFORMATION

Choose the bold face options for the appropriate luminaire configuration for your application and enter on the line above each fixture attribute. Accessories may be factory installed, depending on the particular accessory chosen, but still be ordered as a separate line item.

EXAMPLE:

CBS24 40 6L 1

CBS24	(35, 40, 50)			
SERIES	COLOR TEMP ¹	WATTAGE & NOMINAL LUMENS	VOLTAGE	OPTIONS
	35 = 3500K 40 = 4000K 50 = 5000K	4L = 30W, 3,000 Nominal Lumens 5L = 40W, 5,000 Nominal Lumens 6L = 50W, 6,000 Nominal Lumens	1 = 100-277 VAC	HOEB = LED Battery Pack, 90 min AC63 = 6' x 3X 18AWG, 3/8" dia., Armored Conduit Flex Cable AC64² = 6' x 4X 18AWG, 3/8" dia., Armored Conduit Flex Cable
SEE TECHNICAL DATA BELOW FOR ACTUAL LUMENS				

Notes:

- ¹ CCT & Wattage/Lumen Output are pre-set by factory. Specify CCT & Lumens on purchase order.
- ² Must be used with HOEB if AC is required.

ACCESSORIES

HLF2X4TRIMKIT-2WWHM FK24CBS 2x4x2" Flange Kit

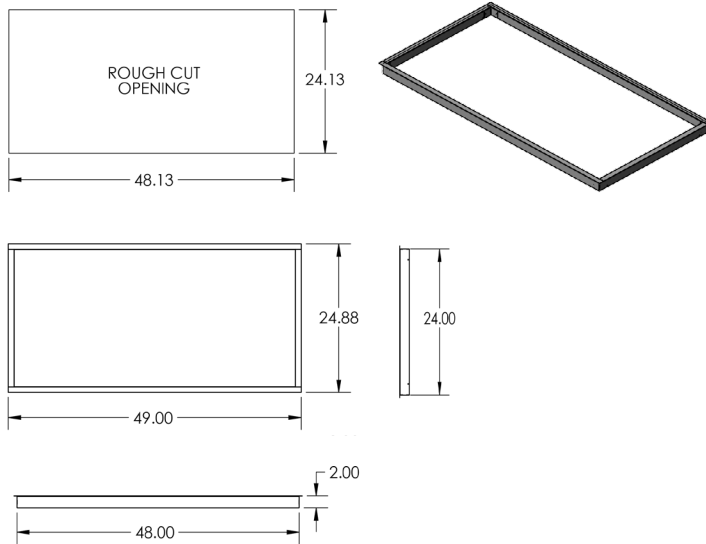


DesignLights Consortium® Qualified. Please go to www.designlights.org for the current Qualified Products List. Further details about qualified models may be found under Family Models.



CBS24 2x4 Center Basket Selectable LED Troffer

DIMENSIONS - Flange Kit (FK24CBS)



TECHNICAL DATA

Warm White (3500K)

Output ID	Delivered Lumens	System Wattage	LPW	L70 @ 25°C	Amperage Draw	
					120V	277V
4L	4237	28.8W	147	>50K	0.24A	0.11A
5L	5352	38.5W	139	>50K	0.32A	0.14A
6L	6344	48.3W	131	>50K	0.40A	0.17A

Neutral White (4000K)

Output ID	Delivered Lumens	System Wattage	LPW	L70 @ 25°C	Amperage Draw	
					120V	277V
4L	4504	27.8W	162	>50K	0.23A	0.10A
5L	5790	36.9W	157	>50K	0.31A	0.13A
6L	6987	46.1W	151	>50K	0.38A	0.17A

Cool White (5000K)

Output ID	Delivered Lumens	System Wattage	LPW	L70 @ 25°C	Amperage Draw	
					120V	277V
4L	4349	28.7W	151	>50K	0.24A	0.11A
5L	5482	38.2W	144	>50K	0.32A	0.14A
6L	6463	47.8W	135	>50K	0.40A	0.17A



DesignLights Consortium® Qualified. Please go to www.designlights.org for the current Qualified Products List. Further details about qualified models may be found under Family Models.



TECHLIGHT
INNOVATION IN ILLUMINATION

2707 SATSUMA | DR. DALLAS, TX 75229 | PH: 800.225.0727 | www.techlight.com