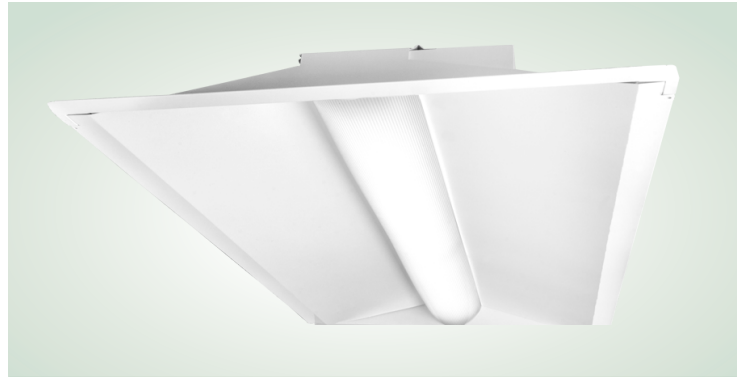




CBL24 SERIES

2x4 Center Basket Lay-In LED Troffer

Catalog Number	
Project	Type



FEATURES & SPECIFICATIONS

APPLICATION — Low profile recessed luminaires designed for retail applications where superior color rendering and performance are needed for appropriate product display. With 50,000 hours of life at L70 standard and a 5-year limited warranty the fixture maintenance cost is reduced substantially over time.

CONSTRUCTION — Low profile body with matte white sloped side members. Extruded acrylic lens.

FINISH — Post painted housing and components with a Lighting White Polyester type paint which has a UV stabilizer included with a 93% reflectivity. Raw steel goes through our custom wash system with a mild solvent and pre treatment "rust inhibitor" before passing through a preheat oven. After the paint is applied the fixture then passes through the cure oven for maximum adhesion. Each fixture is painted to a minimum of 2-3 mil thickness for extra durability.

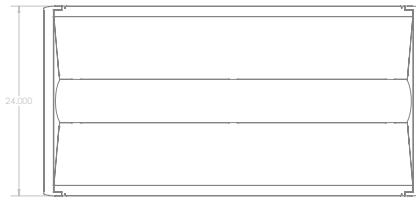
OPTICAL SYSTEM — High performance LED platform delivers main beam focus through the optically designed acrylic lens. The linear opaque acrylic lens manages the balance between efficiency and aesthetics. Linear arrayed LED modules provide diffuse, but effective illumination.

ELECTRICAL SYSTEM — Long life LED's and high efficiency drivers work together to provide superior performance in an efficient package to deliver optimal performance. LED's available in 4000K. Electronic drivers are available in 120/277 volt applications. 0-10V dimming capability provided standard. Operating Temperature Range -25C to 40C.

LISTINGS — ETL listed. DLC Qualified in 8L (8000 lumen) model only.

WARRANTY — The complete luminaire is covered by a 5-year limited warranty.

SERIES	HOUSING HEIGHT	LENGTH & WIDTH
CBL24	2.5"	48.00" x 24.00"



ORDERING INFORMATION

Choose the bold face options for the appropriate luminaire configuration for your application and enter on the line above each fixture attribute. Accessories may be factory installed, depending on the particular accessory chosen, but still be ordered as a separate line item.

EXAMPLE:
CBL24 40 6L 1

SERIES	COLOR TEMP	LED STRIPS	VOLTAGE	OPTIONS
CBL24	40 = 4000K	4L = 4,000 Lumens 5L = 5,000 Lumens 6L = 6,000 Lumens 8L = 8,000 Lumens	1 = Multi-Volt ¹	HOEB = LED Battery Pack, 90 min, 4000 lumens AC63 = 6' x 3X 18AWG, 3/8"dia., Armored Conduit Flex Cable AC64 ² = 6' x 4X 18AWG, 3/8"dia., Armored Conduit Flex Cable

ACCESSORIES

FK24CBL Flange Kit for 2x4

Notes:

¹ Multi-Volt is 120/277V.

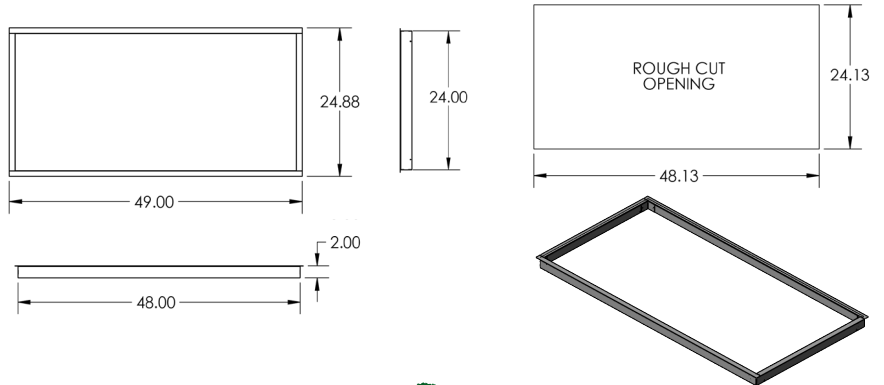
² Must be used with HOEB if AC is required.

TECHNICAL DATA

Neutral White (4000k)

Output ID	Delivered Lumens	Nominal Wattage	LPW	L70 @ 25°C	Amperage Draw	
					120V	277V
4L	4256	31W	137	>50K	0.26 A	0.12 A
5L	5172	48W	136	>50K	0.40 A	0.18 A
6L	6075	55W	135	>50K	0.46 A	0.20 A
8L	7916	61W	130	>50K	0.51 A	0.23 A

DIMENSIONS - Flange Kit (FK24CBL)



NOTES

■ = DLC Qualified in 8L (8000 lumen) model only.



DesignLights Consortium® Qualified. Please go to www.designlights.org for the current Qualified Products List. Further details about qualified models may be found under Family Models.

